

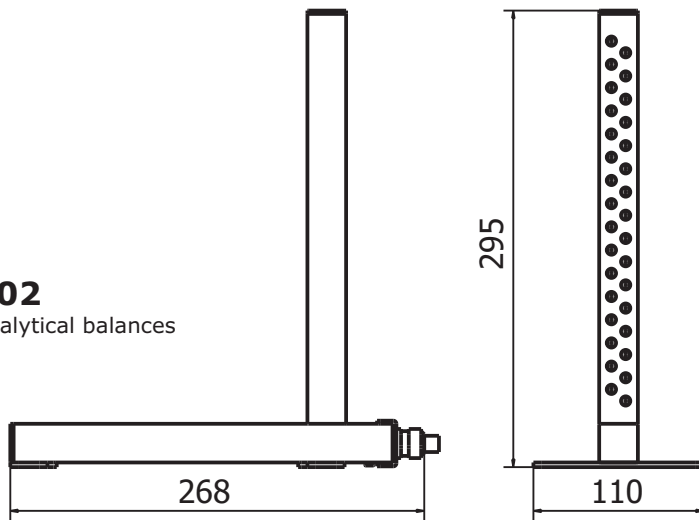
# ANTISTATIC IONIZER DJ-02, DJ-03



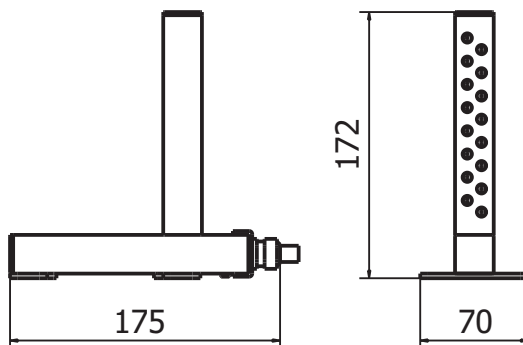
Antistatic ionizer is used to remove overflow of plus ions mainly, minus ions from the load as well and elements of balance and environment. Electric charges of air are neutralized what give quasi-balance of plus and minus ions.

Unbalance of plus and minus ions in the air can cause unwanted electric influences (attraction or repulsion) of elements which are in small distances to each other. It is usual for non-conducting materials (plastic, glass). Some of the elements of balance are made of plastic and glass. This problem can affect the balances. Usually this problem appears as multiply repeatability error or as multiply error of indications.

**DJ-02**  
for analytical balances



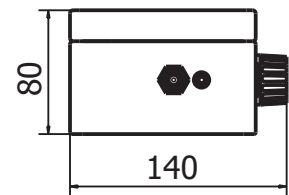
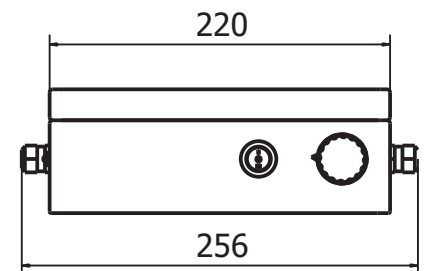
**DJ-03**  
for microbalances



Antistatic ionizers:

**DJ-02** - analytical balances XA/Y, XA/X

**DJ-03** - microbalances UYA, MYA, MYA/P



## Technical data:

|                     | DJ-02                           | DJ-03      |
|---------------------|---------------------------------|------------|
| Distance sample     | 5 ÷ 50 cm                       |            |
| Source of ions      | stainless steel                 |            |
| Working temperature | 0 ° - +40 °C                    |            |
| Moisture            | 10 ÷ 80%                        |            |
| Power supply        | 110/230 V AC / 50 ÷ 60 Hz / 2 W |            |
| Weight              | 3 kg                            |            |
| Size                | 268×110×295                     | 175×70×172 |