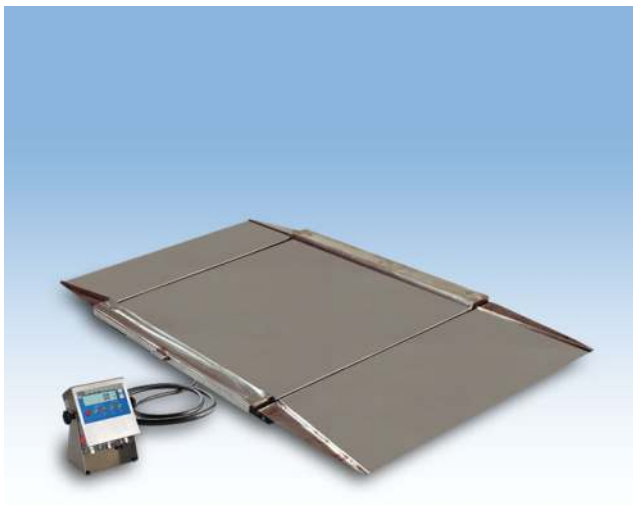


RAMP SCALES



Ramp scales with stainless steel load cells are widely applied in meat, fish, pharmaceutical, cosmetic and chemical industry. WPT/4N scales are manufactured in complete stainless steel technology with stainless steel indicator PUE C/31H installed on a three meter long cable.



Counting pieces



Checkweighing



Summing function

Ramp scales are manufactured from OH18N9 stainless steel with IP 68. On special order, it is possible to manufacture ramp scales in upgraded anti-rust stainless steel version.

Technical data:

	WPT/4N 400H1	WPT/4N 400H2	WPT/4N 800H2	WPT/4N 1500H2	WPT/4N 800H3	WPT/4N 1500H3	WPT/4N 1500H4
Max capacity	400 kg	400 kg	800 kg	1500 kg	800 kg	1500 kg	1500 kg
Readability	200 g	200 g	500 g	500 g	500 g	500 g	500 g
Tare range	-400 kg	-400 kg	-800 kg	-1500 kg	-800 kg	-1500 kg	-1500 kg
Pan size	840×860 mm	1100×1200 mm	1100×1200 mm	1100×1200 mm	1200×1500 mm	1200×1500 mm	1500×1500 mm
Working temperature	-10° - +40 °C						
Output signal	RS 232						
IP rating	IP 68 construction, IP 66/67 indicator						
Power supply	230V / 11V AC or 120V / 11V AC and internal accumulator						
Display	LCD (backlit)						
Scale net weight with indicator	105 kg	105 kg	105 kg	190 kg	180 kg	230 kg	270 kg
Packaging dimensions	1710×1160×76 mm	2050×1420×76 mm	2050×1420×76 mm	2150×1420×77 mm	2350×1520×76 mm	2450×1520×77 mm	2450×1820×77 mm

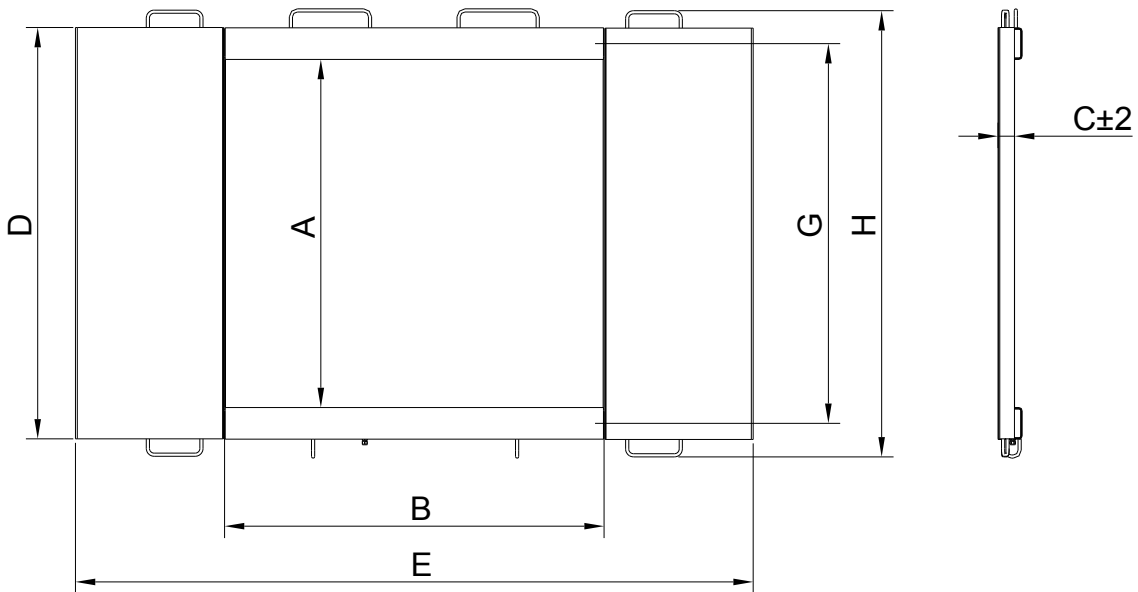
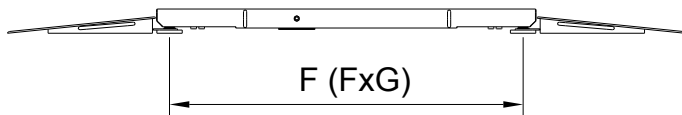
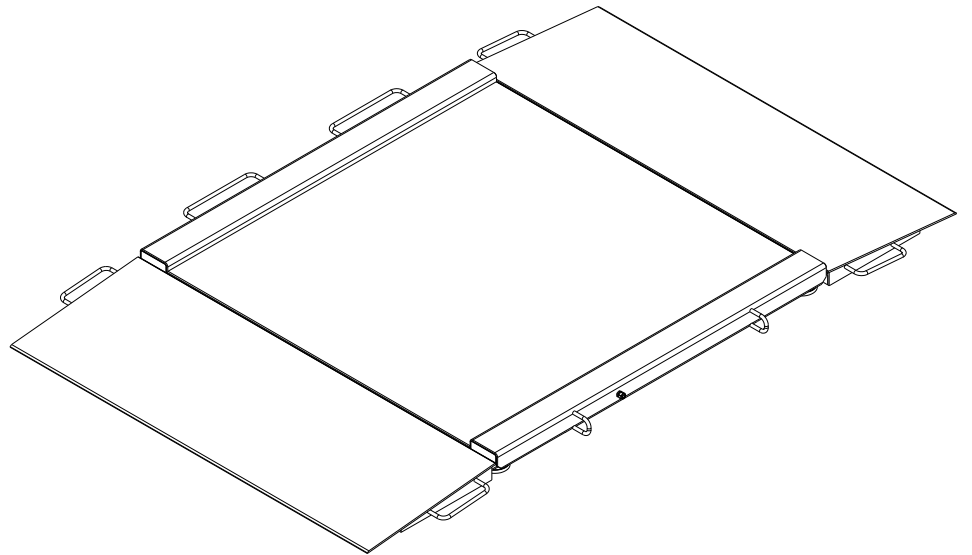
	WPT/4N 200/400H1	WPT/4N 200/400H2	WPT/4N 400/800H2	WPT/4N 400/800H3
Max capacity	200/400 kg	200/400 kg	400/800 kg	400/800 kg
Readability	100/200 g	100/200 g	200/500 g	200/500 g
Tare range	-400 kg	-400 kg	-800 kg	-800 kg
Pan size	840×860 mm	1100×1200 mm	1100×1200 mm	1200×1500 mm
Working temperature	-10° - +40 °C			
Output signal	RS 232			
IP rating	IP 68 construction, IP 66/67 indicator			
Power supply	230V / 11V AC or 120V / 11V AC and internal accumulator			
Display	LCD (backlit)			
Scale net weight with indicator	105 kg	105 kg	105 kg	180 kg
Packaging dimensions	1710×1160×76 mm	2050×1420×76 mm	2050×1420×76 mm	2350×1520×76 mm

Additional equipment:

Kafka thermal printer	PW-WIN 2004 computer software
Epson impact printer	RAD-KEY 2000 computer software
Stand for the indicator	LS-FS computer software
Anti-dust case for EPSON printer	RS 232 cable: scale - "Kafka" thermal printer: P0253
Converter RS232/Ethernet KR-04	RS 232 cable: scale - "Epson/Citizen" printer: P0261
External power output	RS 232 cable: scale - computer: P0259
Large LCD display WWG-2 (digit height 4,5")	LCD display in stainless steel casing

PARTNER CORPORATION

Str. Mures, nr.63, Bucuresti, Sector 1, Tel/fax: 021-2242257, e-mail: office@partner.com.ro , www.partner.com.ro



	max	A [mm]	B [mm]	C [mm]	D [mm]	E [mm]	F [mm]	G [mm]	H [mm]
WPT/4N 400 H1	400kg	840	860	45,5	1040	~ 1710	778	940	1170
WPT/4N 400 H2	400kg	1100	1200	45,5	1300	~ 2050	1118	1200	1430
WPT/4N 800 H2	800kg	1100	1200	45,5	1300	~ 2050	1118	1200	1430
WPT/4N 800 H3	800kg	1200	1500	45,5	1400	~ 2350	1418	1300	1530
WPT/4N 1500 H2	1500kg	1100	1200	52,5	1300	~ 2150	1118	1200	1430
WPT/4N 1500 H3	1500kg	1200	1500	52,5	1400	~ 2450	1418	1300	1530
WPT/4N 1500 H4	1500kg	1500	1500	52,5	1700	~ 2450	1418	1600	1830

PARTNER CORPORATION

Str. Mures, nr.63, Bucuresti, Sector 1, Tel/fax: 021-2242257, e-mail: office@partner.com.ro , www.partner.com.ro